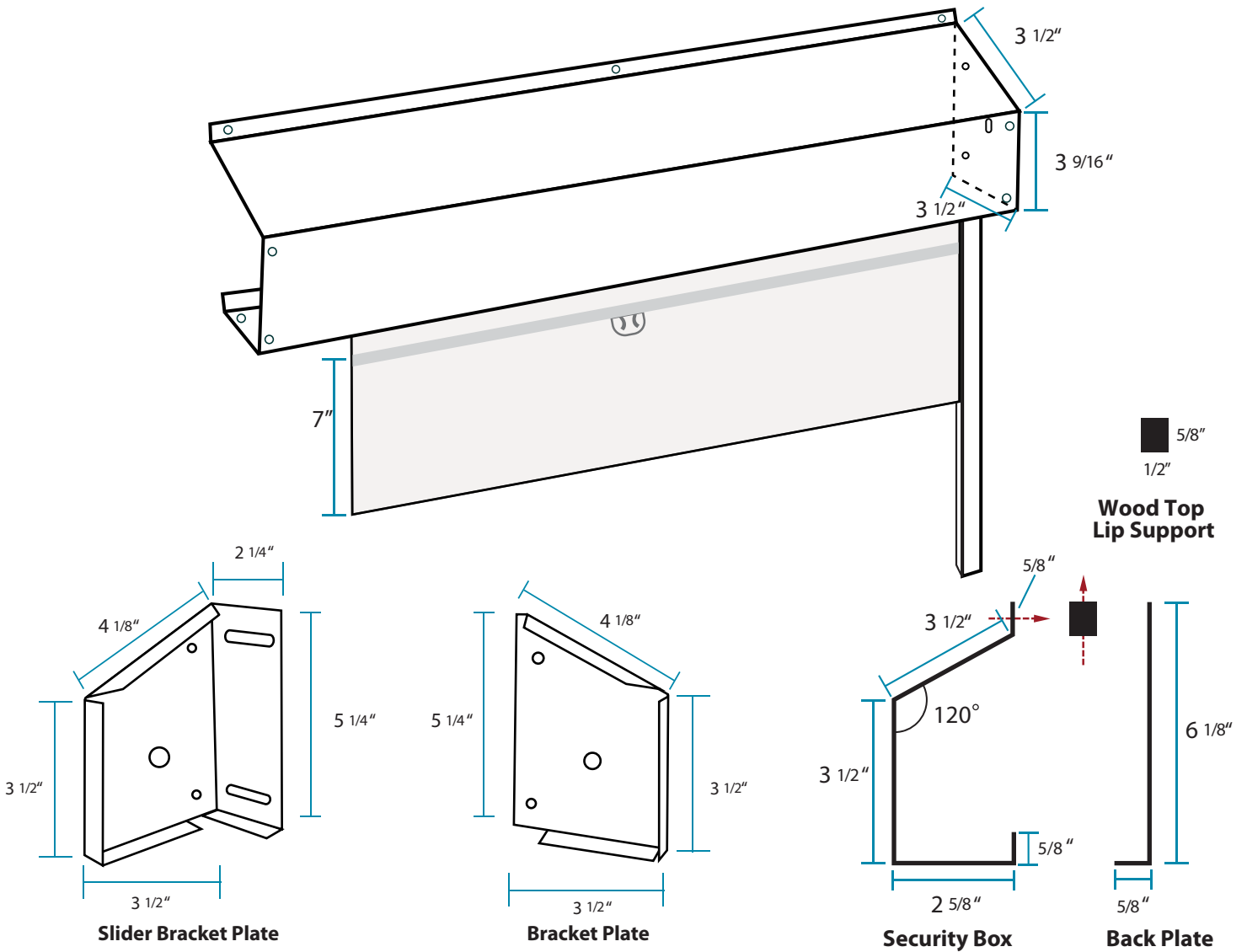


Angled Security Box - SB5A Reduced Depth

Inside Mount Adaption



Security Box to be 24 gauge galvanized steel unless specified.
Up to 60" - 24 gauge

Standard powder-coat of security box and back plate available in white, off-white, beige or bronze. Additional powder-coat colors available, charges may apply.

Industry standard 1/4" space between fabric and track required for proper operation. Privacy mullion provided upon request.



For installation information
www.youtube.com/webbshade